



**TYPICAL APPLICATION**

- apartment buildings
- buildings
- parking areas
- security lighting

**MINI-FLOOD**

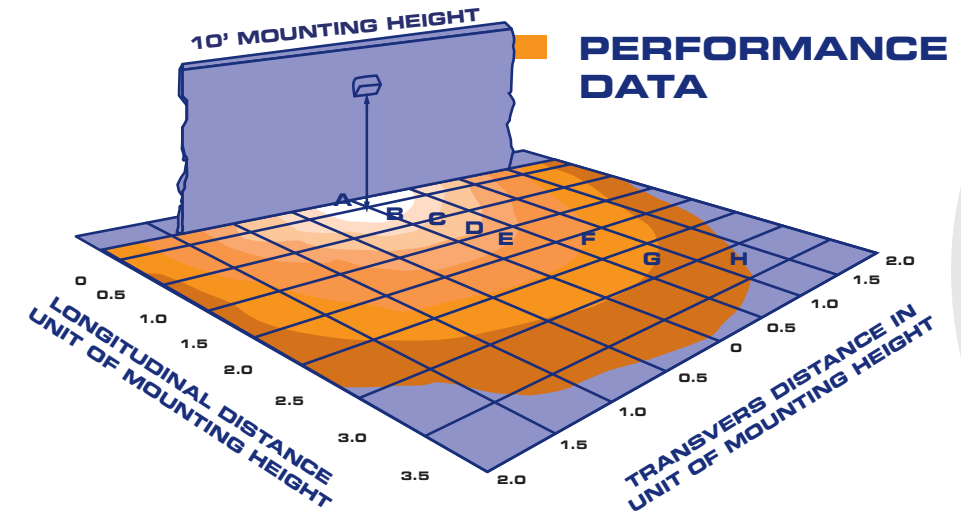
**Luminaires** Die cast Aluminum adjustable housing, hinged tempered glass lens, moisture and dustproof, anodized aluminum reflector, threaded aperture for photo cell, architectural bronze finish.

**Reflector** Three pieces anodized aluminum reflectors. A faceted center with top and bottom push plates provides wide beam distribution.

**Mounting** Wall mount or pole mount with (PTF) for 3" or 3-1/2" poles.

**Lens** One piece high impact tempered glass lens.

**Labels** All fixtures are weatherproof and CSA approved.



MFI-150

A = POINT ZERO

MOUNTING HEIGHT	FOOTCANDLE VALUES AT							
	A	B	C	D	E	F	G	H
8'	72.3	50.8	29.0	14.5	7.3	2.9	1.45	.73
10'	50.0	35.0	20.0	10.0	5.0	2.0	1.0	.50
12'	36.4	25.5	14.5	7.3	3.6	1.5	.73	.36
15'	23.7	16.6	9.4	4.7	2.3	.98	.47	.23
20'	12.8	8.9	5.1	2.5	1.2	.53	.25	.12
25'	8.6	6.0	3.4	1.7	.81	.36	.17	.08

CATALOG NO	MULTIPLIER
MF1-35-HPS	.14
MF1-50-HPS	.36
MF1-70-HPS	.39
MF1-100-HPS	.59

**ORDERING INFORMATION**

To simplify ordering accuracy, choose one from each category.

Category	FIXTURE SERIES	WATTAGE	BALLAST	LENS	VOLTAGE	OPTIONS
	<input type="checkbox"/> MFI	<input type="checkbox"/> High Pressure Sodium 35W-50W 70W-100W	<input type="checkbox"/> HPS High Pressure Sodium	<input type="checkbox"/> CTG Clear Tempered Glass	<input type="checkbox"/> 120 <input type="checkbox"/> 208 <input type="checkbox"/> 240 <input type="checkbox"/> 347	<input type="checkbox"/> PTF Post Top Filter <input type="checkbox"/> PC Photo Cell <input type="checkbox"/> HPF High Power Factor
ORDERING EXAMPLE CODE	MFI	100	HPS	CTG	120	HPF

**Dimensions**

