

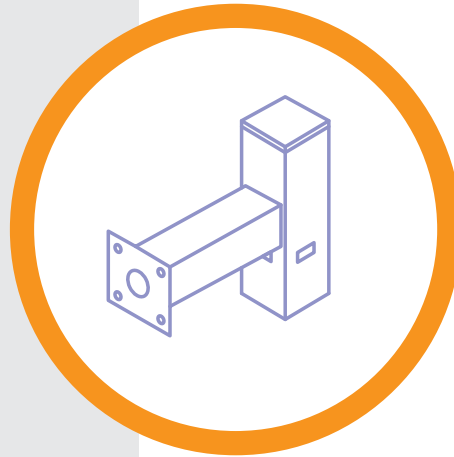
■ **TENON BRACKETS**

**For Round and Square Poles**

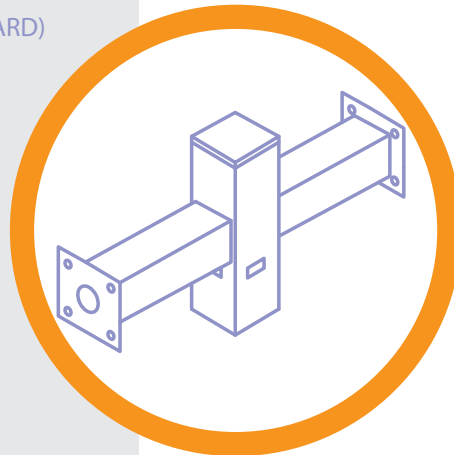
"4" Round and Square  
"5" Round and Square

**TENON CODE:**

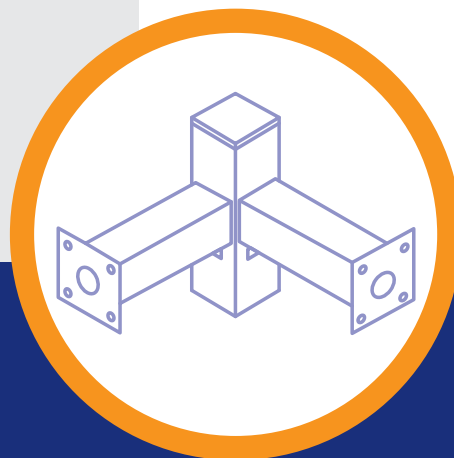
- 1 · 2-3/8" OD. x 5"
- 2 · 2-7/8" OD. x 5" (STANDARD)
- 3 · 3-1/2" OD. x 5"



**TYPE "A" SINGLE BRACKET**



**TYPE "B" TWIN 180° BRACKET**

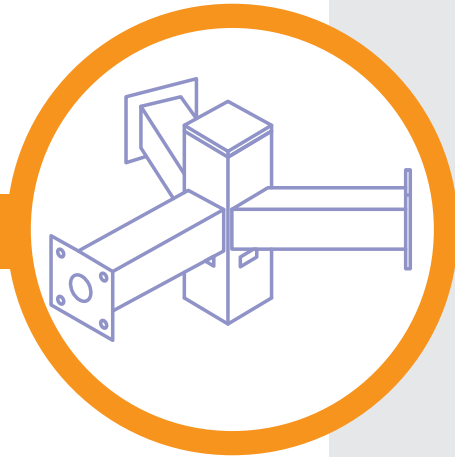


**TYPE "C" TWIN 90° BRACKET**

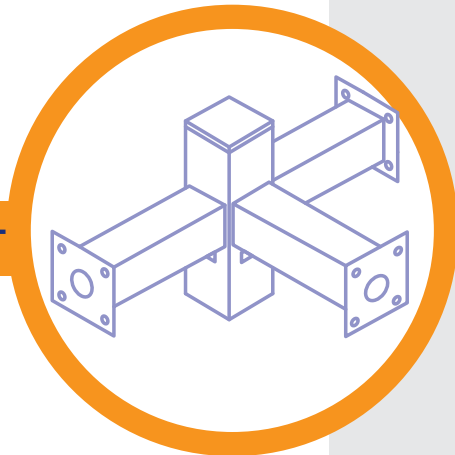
**BRACKET STYLE:**

- R - ROUND
- S - SQUARE

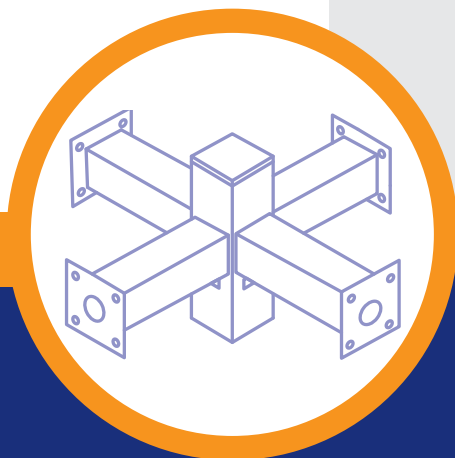
**TYPE "O" TRIPLE 120° BRACKET**



**TYPE "E" TRIPLE 90° BRACKET**



**TYPE "G" QUAD BRACKET**



Specify for 4" Round or Square Pole for 5"  
Round and Square Pole

**ORDERING  
EXAMPLE:**

**POLE SHAPE CODE**  
R (ROUND)

**BRACKET STYLE**  
B (Twin 180°)

**BRACKET TYPE TENON**  
2 (2-7/8" x 5")